

ABB MEASUREMENT & ANALYTICS | DATA SHEET

## 9408 series

Dissolved oxygen cartridge flow system  
with water wash option



---

## **Measurement made easy**

A robust, compact, dissolved oxygen system for continuous on-line monitoring

### **Bayonet-fit flow system**

- easy, no-fuss sensor removal for calibration

### **Choice of process connections**

- BSP and NPT

### **Replaceable oxygen sensor**

- simplifies maintenance and eliminates the need to replace the membrane

### **Choice of cable lengths**

- to suit a wide range of installation demands

### **Water-wash option**

- minimizes maintenance and optimizes performance



## Introduction

These compact and robust flow systems complement the highly successful 9408 floating ball, dip and submersible systems and employ the well-proven 8012 oxygen sensor.

A key feature is the bayonet snap-fit connection which makes removal for calibration extremely easy and convenient. The typical life of the 8012 oxygen sensor is 12 months, although many users benefit from a much longer operational period. The sensor is extremely rugged and can be used in the most demanding environments.



Bayonet snap-fit connection

## Specification

### Materials of construction

Glass-coupled polypropylene

### Operating temperature range

-5 to 40 °C (23 to 104 °F)

### Operating pressure

Atmospheric

### Temperature compensation

Automatic correction by means of an integral Pt100 resistance sensor

### Accuracy

±0.2 mg/l or ±2 % saturation within ±10 °C (50 °F) of the calibration temperature within the range 0 to 35 °C (32 to 95 °F)

### Response

Typically 20 s for 90 % step change of oxygen concentration at 20 °C (68 °F)

### Pressure rating

2 bar (29 psi)

### Flow rate

2 l/minute minimum

### Process connections

- ½ in. and 1 in. BSP
- ½ in. and 1 in. NPT

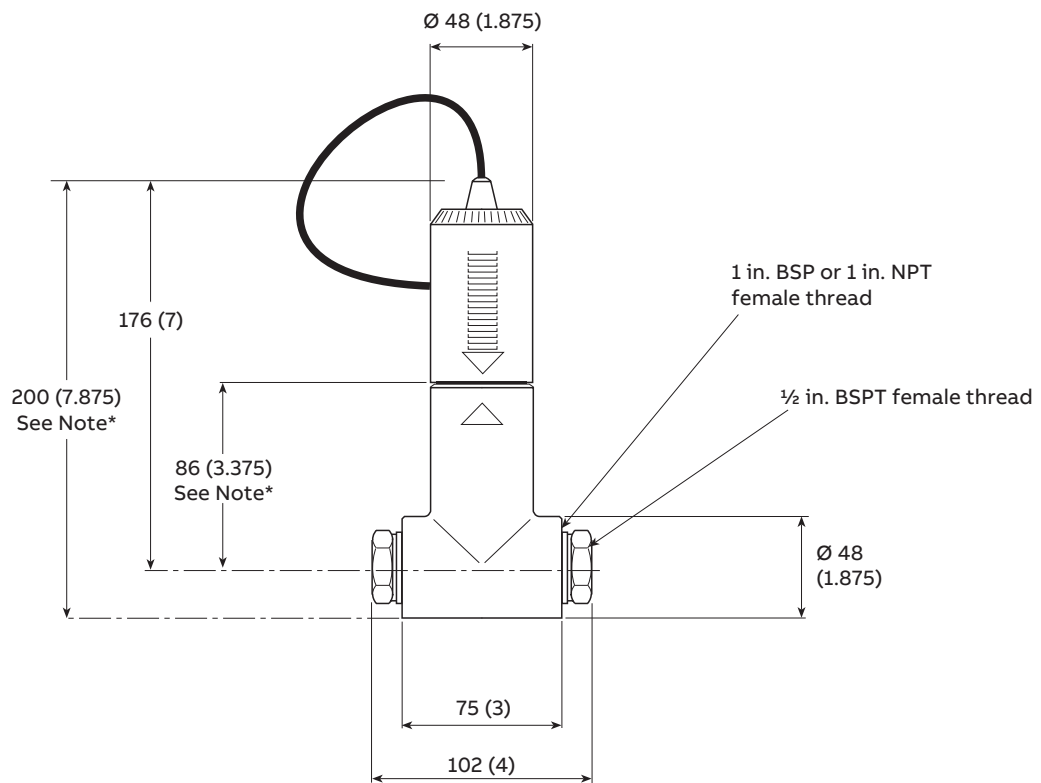
### Cable lengths\*

1, 3, 5, 10 and 20 m (3, 9, 15, 30 and 60 ft. approx.) standard options

**\*Note.** With a suitable junction box a maximum of 100 m (300 ft.) extension cable can be used (part no. 0233/828).

## Overall dimensions

Dimensions in mm (in.)



**\*Note.** Allow an additional 140 mm (5.5 in.) for cartridge removal



## Ordering information

9408 series dissolved oxygen cartridge flow system	9408/8	X	X	X
<b>Process connections</b>				
1 in. BSP		0		
½ in. BSP		1		
1 in. NPT		2		
½ in. NPT		3		
<b>Cable length</b>				
1 m (3 ft.)			0	
3 m (9 ft.)			1	
5 m (15 ft.)			2	
10 m (30 ft.)			3	
20 m (60 ft.)			4	
<b>Cleaning</b>				
Without cleaning				0
With cleaning				2

Service



---

**Notes**





---

**ABB Limited****Measurement & Analytics**

Oldends Lane, Stonehouse  
Gloucestershire, GL10 3TA  
UK

Tel: +44 (0)1453 826 661

Fax: +44 (0)1453 829 671

**ABB Inc.****Measurement & Analytics**

125 E. County Line Road  
Warminster, PA 18974

USA

Tel: +1 215 674 6000

Fax: +1 215 674 7183

**[abb.com/measurement](http://abb.com/measurement)**

---

We reserve the right to make technical changes or modify the contents of this document without prior notice. With regard to purchase orders, the agreed particulars shall prevail. ABB does not accept any responsibility whatsoever for potential errors or possible lack of information in this document.

We reserve all rights in this document and in the subject matter and illustrations contained therein. Any reproduction, disclosure to third parties or utilization of its contents – in whole or in parts – is forbidden without prior written consent of ABB.